

Panasonic

Installation Instructions

Doorphone Card

Model **KX-TD161**

Please read this manual before installing the card.

Thank you for purchasing the Panasonic Card.

Doorphone Card

Supports 4 doorphones and 4 door openers. The doorphone is an option (KX-T30865).

Contents

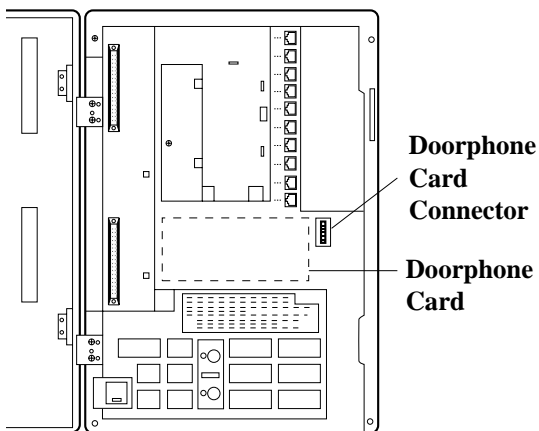
Location of the Card	3
Installation for the Card	5
Doorphone Card	7

Location of the Card

The location of the optional card is shown below.

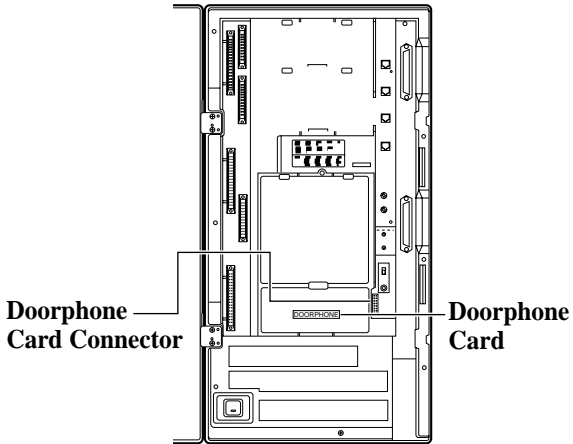
Precaution: To protect the printed circuit boards (P-boards) from static electricity, do not touch parts on the P-boards in the main unit and on the optional cards.

KX-TD816



Front cover is open.

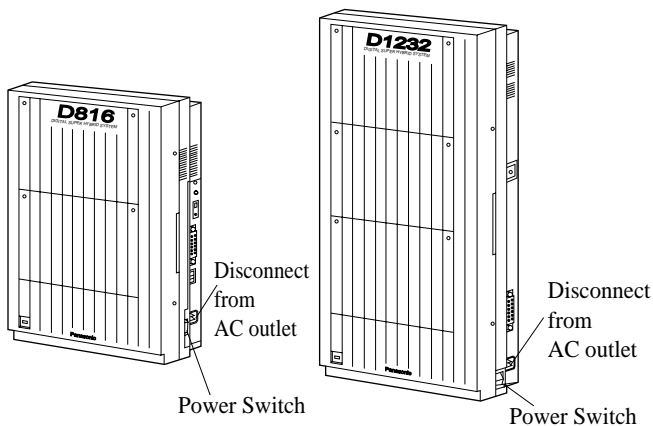
KX-TD1232



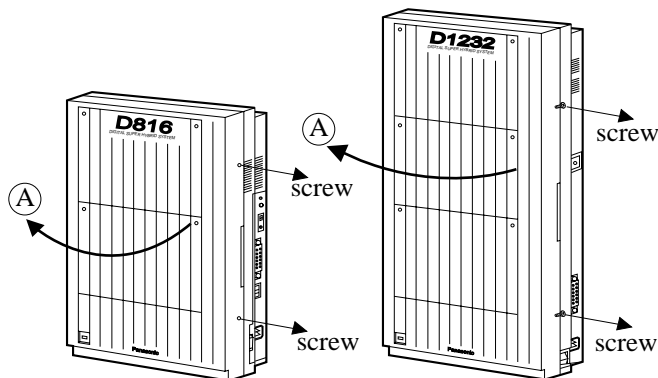
Front cover is open.

Installation for the Card

1. Set the power switch on the main unit to the OFF position and disconnect the power cord from the AC outlet.



2. Loosen the two screws on the right side of the main unit and open the front cover in the direction of arrow (A).



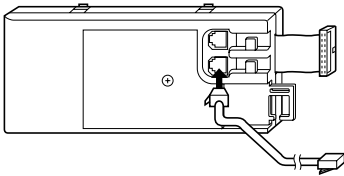
Note

- The two screws are attached to the front cover with springs so that they will not be lost.
3. To install the Doorphone Card, see page 7.
 4. Close the front cover and screw.
 5. Connect the power cord to the AC outlet and then set the Power Switch on the main unit to ON position.

Doorphone Card

Before installing the Doorphone Card to the main unit, install the Doorphone (KX-T30865). For details about the doorphone, refer to the Installation Manual.

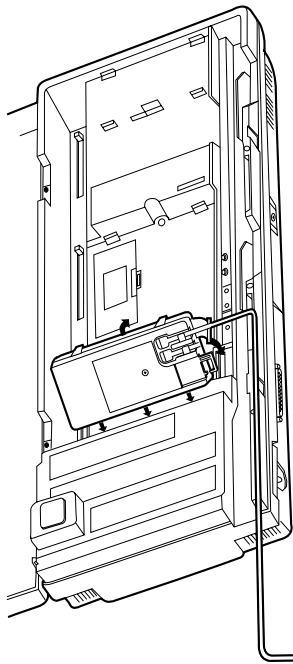
1. Connect two 4-conductor modular connectors to the Doorphone Card Cabinet, and pass the cords through the grooves in the cabinet.



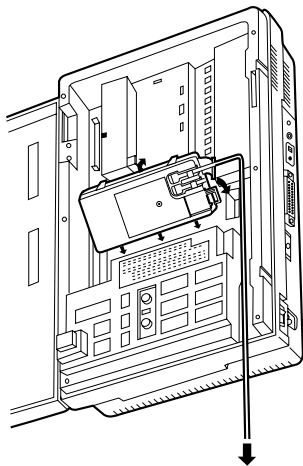
2. Attach the Doorphone Card Cabinet to the main unit and press down.

3. Connect the cord to the Doorphone Card Connector.

KX-TD1232



KX-TD816

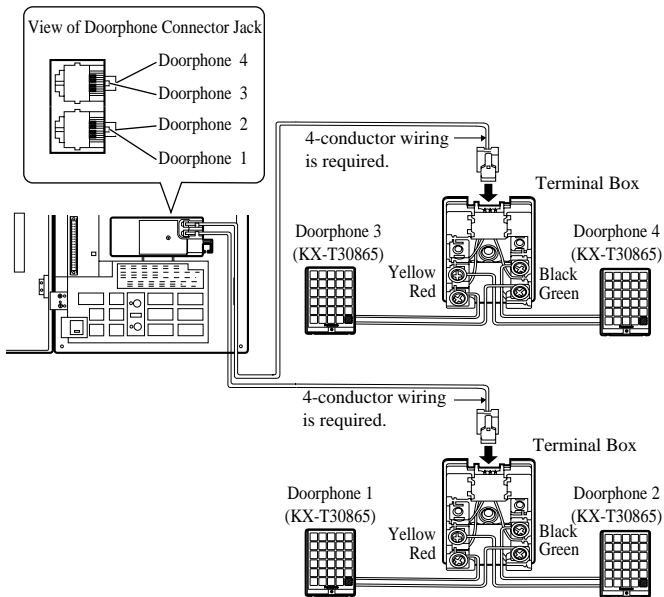


To Terminal Box
Installation

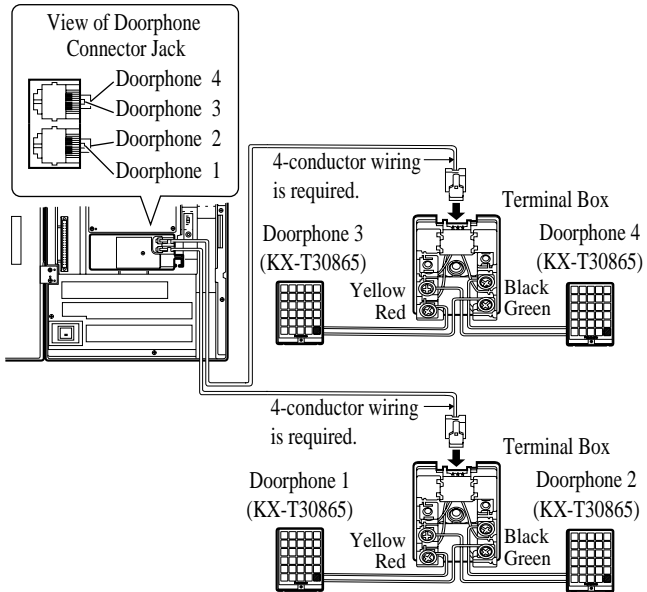
Wiring of the Doorphone

- 1.** Connect the Doorphone Card to the terminal box using two 4-conductor modular connectors.
- 2.** Connect the wires of doorphone 1 to the red and green screws of the terminal box.
- 3.** Connect the wires of doorphone 2 to the yellow and black screws of the terminal box.
- 4.** Connect the wires of doorphone 3 to the red and green screws of the terminal box.
- 5.** Connect the wires of doorphone 4 to the yellow and black screws of the terminal box.

KX-TD816



KX-TD1232

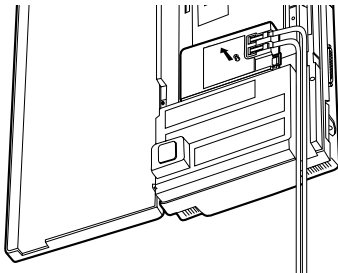


Note

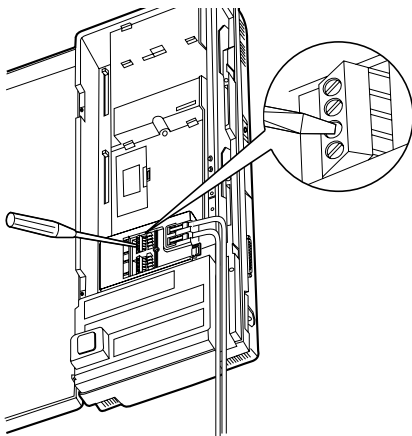
- NB Colors shown on the above diagram indicate the internal cable connections of the Terminal Box.

Connecting Door Openers

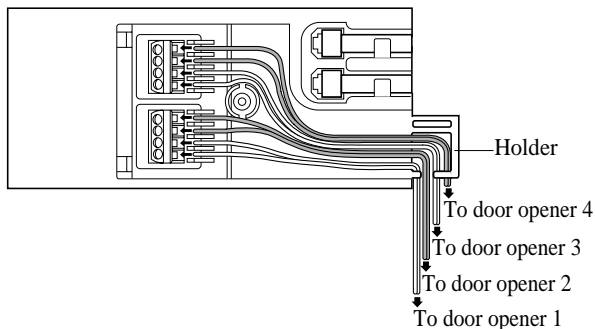
1. Loosen the screw to remove the cover.



2. Loosen the screws on the terminal strip.

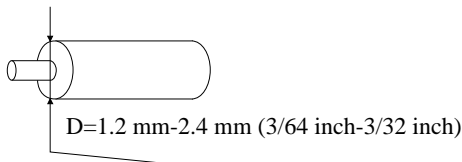


3. Insert the wires coming from the door openers into holes and tighten the screws.
Pass all the wires through the Holder.



Note

- Set the door opener paired with the doorphone.
- For wiring, UL 1015, AWG 22 twisted wire or the equivalent is recommended.
- The wire should be between 1.2 mm and 2.4 mm (3/64 inch and 3/32 inch) in diameter including the coating.



**Panasonic Consumer Electronics
Company, Division of Matsushita
Electric Corporation of America**

One Panasonic Way, Secaucus,
New Jersey 07094
www.panasonic.com

**Panasonic Sales Company (“PSC”),
Division of Matsushita Electric of
Puerto Rico, Inc.**

Ave. 65 de Infantería, Km. 9.5,
San Gabriel Industrial Park, Carolina,
Puerto Rico 00985

Copyright:

This manual is copyrighted by Kyushu Matsushita Electric Co., Ltd. (KME). Under the applicable copyright laws, this manual may not be reproduced in any form, in whole or part, without the prior written consent of KME and its licensee.

© 2001 Kyushu Matsushita Electric Co., Ltd. All Rights Reserved.

Printed in the United Kingdom **PSQX2631ZA** KA0901HK0