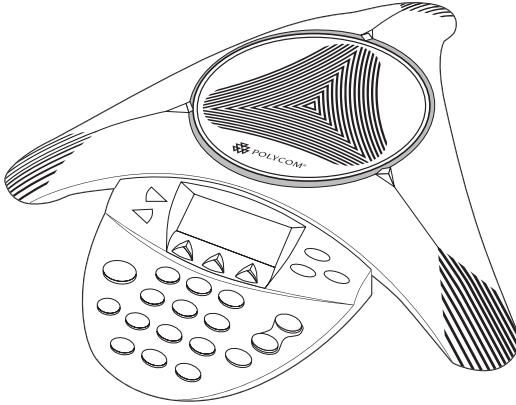


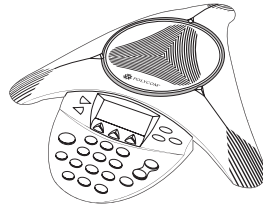
## SoundStation® IP 6000 Quick Start Guide



### Parts List

Thank you for choosing the Polycom SoundStation® IP 6000, a conference telephone that provides high quality audio conferencing over an IP network.

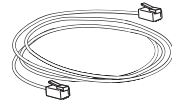
These items are included in your SoundStation IP 6000 package. If you are missing any items, contact your SoundStation IP 6000 reseller.



**SoundStation IP 6000**

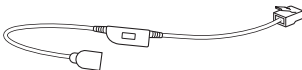


**Quick Start Guide**

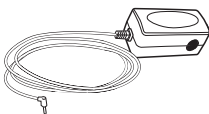


**Network Cable**

### Optional Accessories

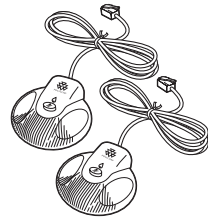


**Power Interface Cable**



**Power Adapter**

(Not shown: Country-Specific Power Cable)

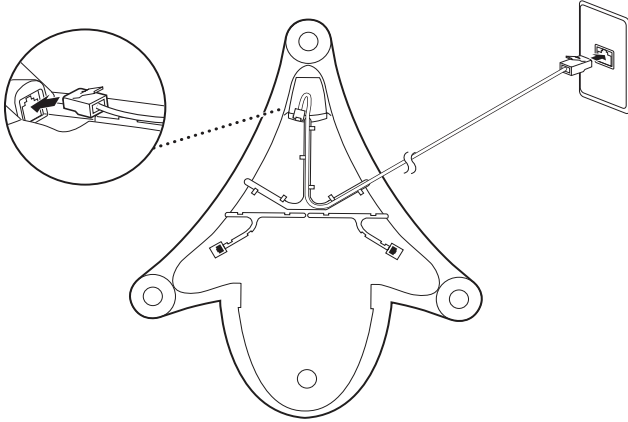


**External Microphones**

---

## Installation

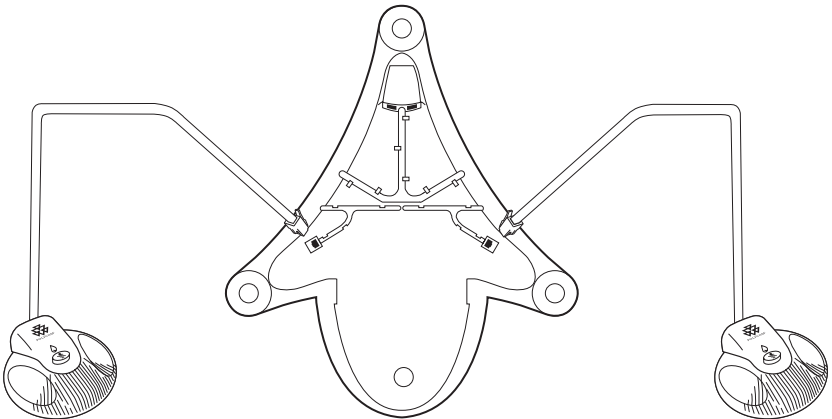
To install the SoundStation IP 6000, plug one end of the network cable into the network port on the bottom of the SoundStation IP 6000 console, and plug the other end of the network cable into your data port with PoE.



---

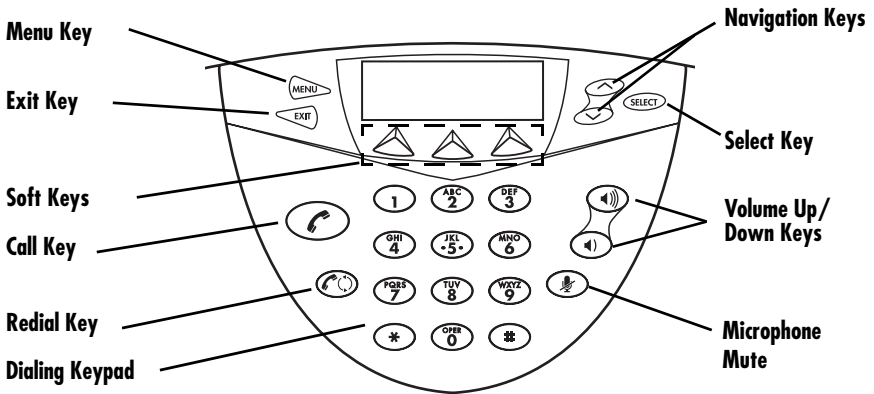
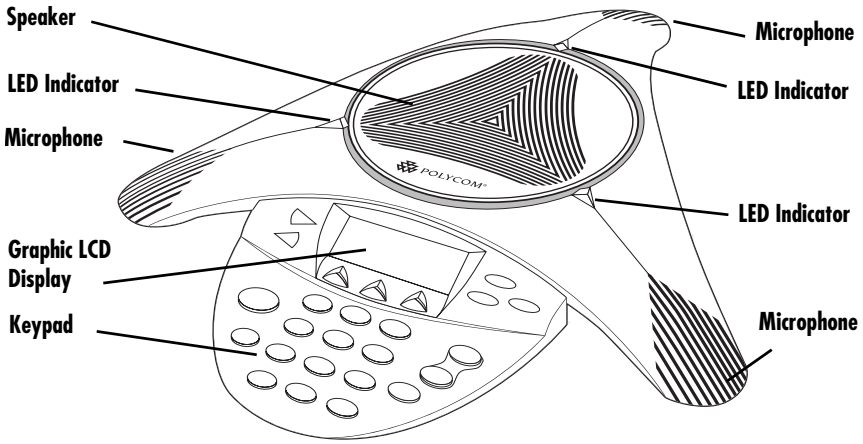
## External Microphone

Connect external microphones (optional accessory), as shown below.



---

## Features

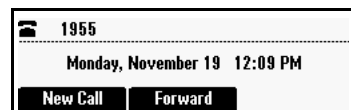


---

## Startup

After it has been connected to the network, the SoundStation IP 6000 automatically powers up via Power over Ethernet (PoE) and begins a process of establishing itself on the network. When this is complete, the Idle screen is displayed (as shown on the right).

For more information, refer to the SoundStation IP 6000 User Guide, available online at:  
<http://www.polycom.com/support/>



Idle Screen

# Warranty, Copyright, Safety Notices

**LIMITED WARRANTY.** Polycorn warrants to the end user ("Customer") that this product will be free from defects in workmanship and materials, under normal use and service, for one year from the date of purchase from Polycorn or its authorized reseller. Polycorn's sole obligation under this express warranty shall be, at Polycorn's option and expense, to repair the defective product or part, deliver to Customer an equivalent product or part to replace the defective item, or if neither of the two foregoing options are reasonably available, Polycorn may, on its sole discretion, refund to Customer the purchase price paid for the defective product. All products that are replaced will become the property of Polycorn. Replacement products or parts may be new or reconditioned. Polycorn warrants any replaced or repaired product or part for ninety (90) days from shipment, or the remainder of the initial warranty period, whichever is longer.

Products returned to Polycorn must be sent prepaid and packaged appropriately for safe shipment, and it is recommended that they be insured or sent by a method that provides for tracking of the package. Responsibility for loss or damage does not transfer to Polycorn until the returned item is received by Polycorn. The repaired or replaced item will be shipped to Customer, at Polycorn's expense, not later than thirty (30) days after Polycorn receives the defective product, and Polycorn will retain risk of loss or damage until the item is delivered to Customer.

**EXCLUSIONS.** Polycorn will not be liable under this limited warranty if its testing and examination disclose that the alleged defect or malfunction in the product does not exist or results from:

- Failure to follow Polycorn's installation, operation, or maintenance instructions.
- Unauthorized product modification or alteration.
- Unauthorized use of common carrier communication services accessed through the product.
- Abuse, misuse, negligent acts or omissions of Customer and persons under Customer's control; or
- Acts of third parties, acts of God, accident, fire, lightning, power surges or outages, or other hazards.

**WARRANTY EXCLUSIVE.** IF A POLYCOM PRODUCT DOES NOT OPERATE AS WARRANTED ABOVE, CUSTOMER'S SOLE REMEDY FOR BREACH OF THAT WARRANTY SHALL BE REPAIR, REPLACEMENT, OR REFUND OF THE PURCHASE PRICE PAID, AT POLYCOM'S OPTION. TO THE FULL EXTENT ALLOWED BY LAW, THE FOREGOING WARRANTIES AND REMEDIES ARE EXCLUSIVE AND ARE IN LIEU OF ALL OTHER WARRANTIES, TERMS, OR CONDITIONS, EXPRESS OR IMPLIED, EITHER IN FACT OR BY OPERATION OF LAW, STATUTORY OR OTHERWISE, INCLUDING WARRANTIES, TERMS, OR CONDITIONS OF MERCHANTABILITY, FITNESS FOR A PARTICULAR PURPOSE, SATISFACTORY QUALITY, CORRESPONDENCE WITH DESCRIPTION, AND NON-INFRINGEMENT, ALL OF WHICH ARE EXPRESSLY DISCLAIMED. POLYCOM NEITHER ASSUMES NOR AUTHORIZES ANY OTHER PERSON TO ASSUME FOR IT ANY OTHER LIABILITY IN CONNECTION WITH THE SALE, INSTALLATION, MAINTENANCE OR USE OF ITS PRODUCTS.

**SERVICE AGREEMENTS.** Please contact your Polycorn Authorized Reseller for information about service agreements applicable to your product.

**SOFTWARE SUPPORT.** Polycorn will provide support for software running on the Product if all of the following conditions are satisfied:

- The product is under warranty or is covered by a Polycorn service contract;

- The product is operating on a Polycorn-approved partner platform; and
- The product software is the current major version or the next preceding major version (software revisions are labeled as "x.y.z," with the first two digits designating major versions).
- The product software comes with 90-day software warranty, providing for software updates (minor releases/bug fixes). To continue to receive support, purchasing a maintenance contract is the most economical solution. Requests for software support should be made through the Polycorn Reseller from whom the product was purchased.

**LIMITATION OF LIABILITY.** TO THE FULL EXTENT ALLOWED BY LAW, POLYCOM EXCLUDES FOR ITSELF AND ITS SUPPLIERS ANY LIABILITY, WHETHER BASED IN CONTRACT OR TORT (INCLUDING NEGLIGENCE), FOR INCIDENTAL, CONSEQUENTIAL, INDIRECT, SPECIAL, OR PUNITIVE DAMAGES OF ANY KIND, OR FOR LOSS OF REVENUE OR PROFITS, LOSS OF BUSINESS, LOSS OF INFORMATION OR DATA, OR OTHER FINANCIAL LOSS ARISING OUT OF OR IN CONNECTION WITH THE SALE, INSTALLATION, MAINTENANCE, USE, PERFORMANCE, FAILURE, OR INTERRUPTION OF ITS PRODUCTS, EVEN IF POLYCOM OR ITS AUTHORIZED RESELLER HAS BEEN ADVISED OF THE POSSIBILITY OF SUCH DAMAGES, AND LIMITS ITS LIABILITY TO REPAIR, REPLACEMENT, OR REFUND OF THE PURCHASE PRICE PAID, AT POLYCOM'S OPTION. THIS DISCLAIMER OF LIABILITY FOR DAMAGES WILL NOT BE AFFECTED IF ANY REMEDY PROVIDED HEREIN SHALL FAIL OF ITS ESSENTIAL PURPOSE.

**DISCLAIMER.** Some countries, states, or provinces do not allow the exclusion or limitation of implied warranties or the limitation of incidental or consequential damages for certain products supplied to consumers, or the limitation of liability for personal injury, so the above limitations and exclusions may be limited in their application to you. When the implied warranties are not allowed to be excluded in their entirety, they will be limited to the duration of the applicable written warranty. This warranty gives you specific legal rights which may vary depending on local law.

**GOVERNING LAW.** This Limited Warranty and Limitation of Liability shall be governed by the laws of the State of California, U.S.A., and by the laws of the United States, excluding their conflicts of laws principles. The United Nations Convention on Contracts for the International Sale of Goods is hereby excluded in its entirety from application to this Limited Warranty and Limitation of Liability. All rights reserved under International and Pan-American Copyright Conventions. No part of the contents of this manual may be copied, reproduced, or transmitted in any form or by any means, or translated into another language or format, in whole or part, without written consent from Polycorn, Inc. Do not remove (or allow anybody else to remove) any product identification, copyright or other notices. Polycorn, the Polycorn logo design, and SoundStation are trademarks of Polycorn, Inc. in the U.S. and various other countries. COPYRIGHT. All rights reserved under International and pan-American Copyright Conventions. No part of the contents of this manual may be copied, reproduced, or transmitted in any form or by any means, or translated into another language or format, in whole or part, without written consent of Polycorn, Inc.

Polycorn® and the logo design are registered trademarks and Polycorn SoundStation IP 6000 is a trademark of Polycorn, Inc. in the United States, and various countries. Do not remove (or allow any third party to remove) any product identification, copyright or other notices.

**SAFETY AND REGULATORY INFORMATION.** This device complies with Part 15 of the FCC Rules. Operation is subject to the following two conditions:

(1) This device may not cause harmful interference, and (2) This device must accept any interferences received, including interference that may cause undesired operation.

Note: This equipment has been tested and found to comply with the limits for a Class A digital device, pursuant to part 15 of the FCC Rules. These limits are designed to provide reasonable protection against harmful interference when the equipment is operated in a commercial environment. This equipment generates, uses, and can radiate radio frequency energy and, if not installed and used in accordance with the instruction manual, may cause harmful interference to radio communications. Operation of this equipment in a residential area is likely cause harmful interference in which case the user will be required to correct the interference at his own expense.

This SoundStation IP6000 SIP is marked with the CE mark. This mark indicates compliance with EC Directives 2006/95/EC and 2004/108/EC. A full copy of the Declaration of Conformity can be obtained from Polycorn Ltd., 270 Bath Road, Slough, Berkshire, SL1 4DX, UK.

In accordance with Part 15 of the FCC Rules, the user is cautioned that any changes or modifications not expressly approved by Polycorn, Inc. could void the user's authority to operate the equipment.

Installation must be performed in accordance with all relevant national wiring rules. L'Installation doit être exécutée conformément à tous les règlements nationaux applicables au filage électrique.

The outlet to which this apparatus is connected must be installed near the equipment and must always be readily accessible.

この装置は、クラスA 情報技術装置です。この装置を家庭環境で使用すると電波妨害を引き起こすことがあります。この場合には使用者が適切な対策を講ずるよう要求されることがあります。 VCCI-A

La prise électrique à laquelle l'appareil est branché doit être installée près de l'équipement et doit toujours être facilement accessible.

This Class [A] digital apparatus complies with Canadian ICES-003.

Cet appareil numérique de la classe [A] sera conforme à la norme NMB-003 du Canada.

To avoid electric shock, do not connect safety extra low voltage (SELV) circuits to teleconference station network (TNV) circuits. LAN ports contain SELV circuit, and WAN ports contain TNV circuits. Some LAN and WAN ports both use RJ-45 connectors. Use caution when connecting cables.

This product is rated 48Vdc, 0.375A. When used with the optional external power supply, the power supply shall be a Listed power supply with a LPS output, rated 48V, min. 0.375A

## Contact Information:

Please contact your Polycorn Authorized Reseller for assistance.

<http://www.polycom.com>

Polycorn, Inc. 4750 Willow Road, Pleasanton, CA 94588-2708 USA



1725-15641-001 Rev. B